

BACK DOOR STAY REPLACEMENT

BO45X-01

1. REMOVE BACK DOOR STAY

- (a) Slide the clip, then remove the back door stay from the back door.

HINT:

While supporting the back door with your hand, remove the back door stay.

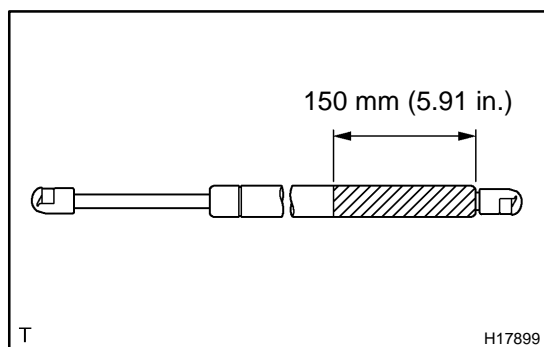
- (b) Slide the clip, then remove the bolts and back door stay from the body.

2. IF NECESSARY, REPLACE BACK DOOR STAY

NOTICE:

When handling the back door stay.

- Do not disassemble the back door stay because the cylinder is filled with pressurized gas.



- If the back door stay is to be replaced, drill a 2.0 - 3.0 mm (0.079 - 0.118 in.) hole in the bottom of the back door stay as shown in the illustration to completely release the high-pressure gas before disposing of it.
- When drilling, chips may fly out so work carefully.
- The gas is colorless, odorless and non-toxic.
- When working, handle the back door stay carefully. Never score or scratch the exposed part of the piston rod, and never allow paint or oil to get on it.
- Do not turn the piston rod and cylinder with the back door stay fully extended.

3. INSTALL BACK DOOR STAY

- (a) Install the bolts and back door stay to the body.
Torque: 19 N·m (195 kgf·cm, 14 ft·lbf)
- (b) Install the bolts and back door stay to the back door.
Torque: 19 N·m (195 kgf·cm, 14 ft·lbf)