

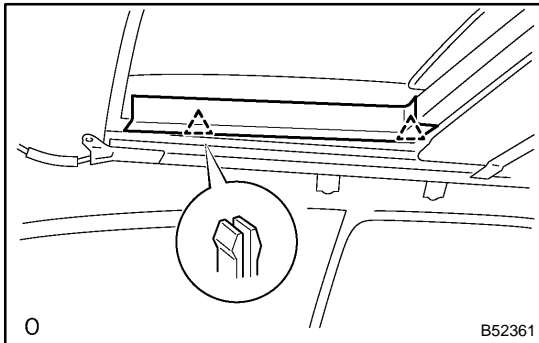
SLIDING ROOF OVERHAUL

7400P-04

HINT:

The installation is in the reverse order of the removal. However, when there is a special point concerning the installation, it is indicated.

1. REMOVE ROOF HEADLINING ASSY (See page 76-21)



2. REMOVE SLIDING ROOF SIDE GARNISH RH

- (a) Using a screwdriver, remove the sliding roof side garnish.

HINT:

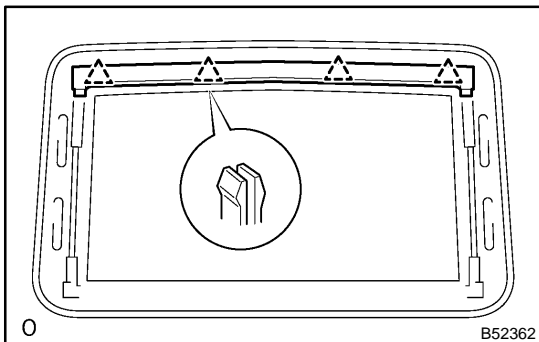
Tape the screwdriver tip before use.

- (b) Use the same procedures described above on the other side.

3. REMOVE SLIDING ROOF SIDE GARNISH LH

4. REMOVE SLIDING ROOF GLASS SUB-ASSY

- (a) Remove the 4 nuts.
(b) Pull the sliding roof glass upward to remove it.

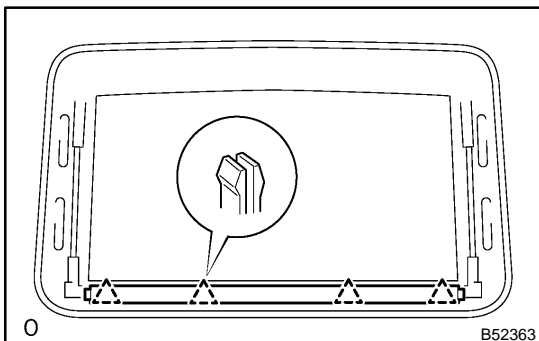


5. REMOVE SLIDING ROOF GARNISH FRONT

- (a) Using a screwdriver, remove the sliding roof side garnish.

HINT:

Tape the screwdriver tip before use.



6. REMOVE SLIDING ROOF GARNISH REAR

- (a) Using a screwdriver, remove the sliding roof side garnish.

HINT:

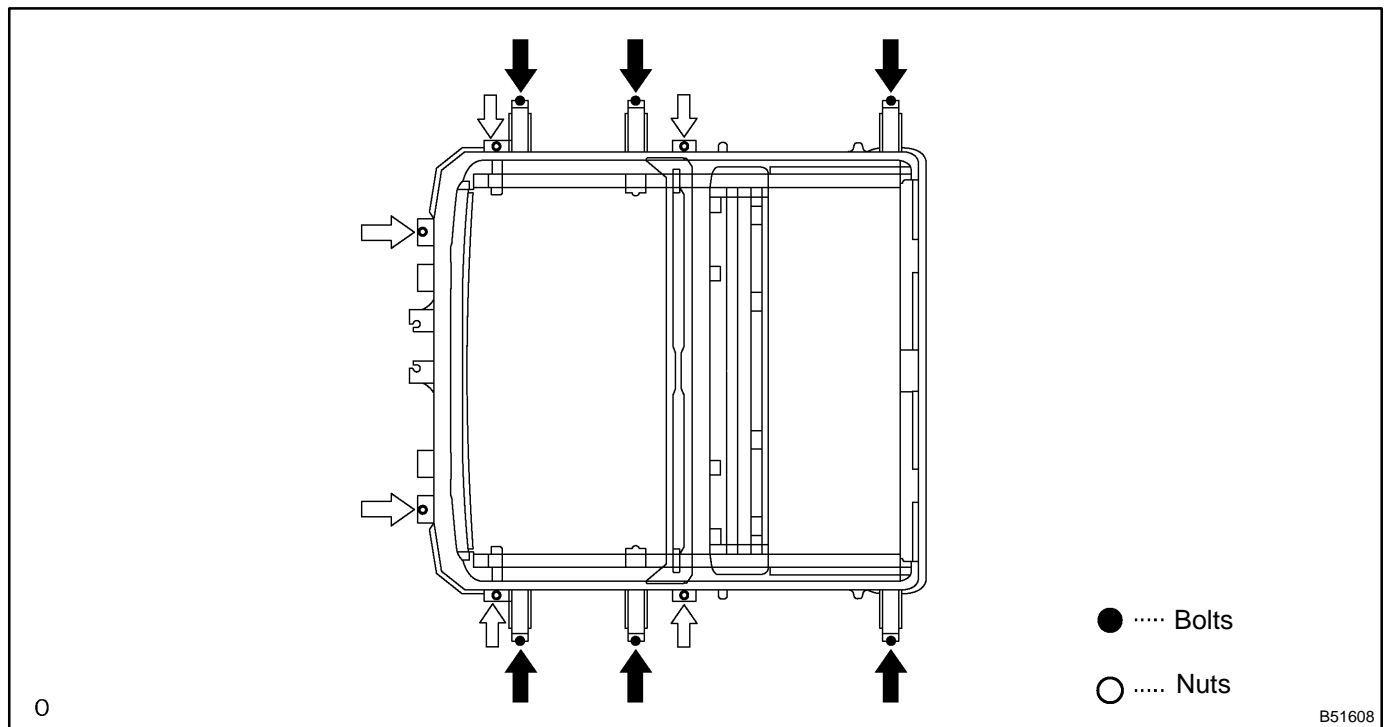
Tape the screwdriver tip before use.

7. REMOVE SLIDING ROOF DRIVE GEAR SUB-ASSY

- (a) Disconnect the clamp.
(b) Remove the 2 bolts and drive gear.

8. REMOVE SLIDING ROOF HOUSING SUB-ASSY

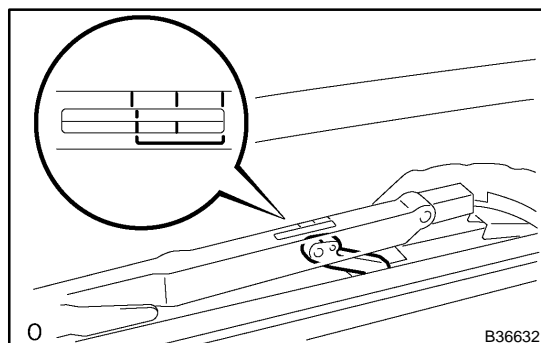
- (a) Disconnect the 4 drain hoses from the housing.
- (b) Remove the 6 nuts and 6 bolts, then remove the housing as shown in the illustration.

**9. REMOVE ROOF WIND DEFLECTOR PANEL SUB-ASSY**

- (a) Remove the 2 bolts and roof wind deflector panel.

10. REMOVE SUNSHADE TRIM SUB-ASSY

- (a) Remove the screw and stopper.
- (b) Remove the sunshade trim.

11. REMOVE SUNSHADE TRIM KNOB**12. ADJUST FULLY CLOSED POSITION**

- (a) Using a screwdriver, slide the drive cable of the sliding roof to align the matchmarks.

HINT:

Tape the screwdriver tip before use.

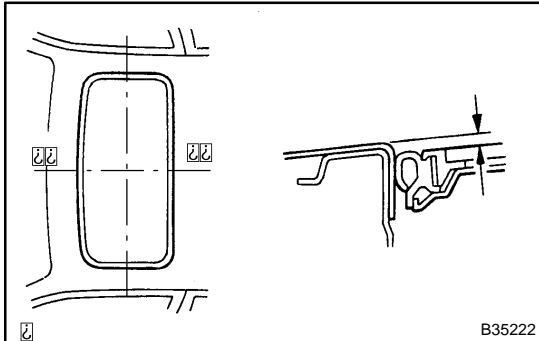
13. INSTALL SLIDING ROOF HOUSING SUB-ASSY

Torque: 8.0 N·m (82 kgf·cm, 68 in.-lbf) for bolt

Torque: 5.0 N·m (51 kgf·cm, 43 in.-lbf) for nut

14. INSTALL SLIDING ROOF DRIVE GEAR SUB-ASSY

- (a) Install the drive gear with the 2 bolts.
Torque: 5.4 N·m (55 kgf·cm, 49 in·lbf)

**15. INSTALL SLIDING ROOF GLASS SUB-ASSY**

- (a) Check for a difference between the sliding roof (weather-strip) and roof panel in level.

Front end:

0 + 1.0 mm (0 ± 0.039 in.)

0 - 2.0 mm (0 ± 0.078 in.)

Rear end:

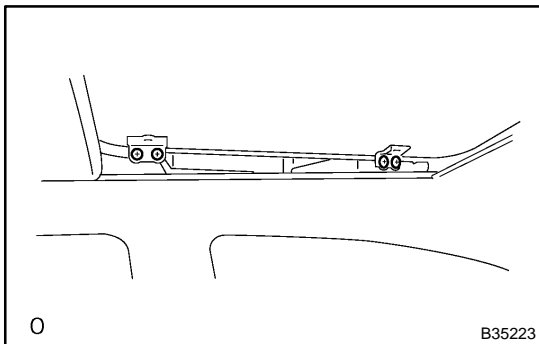
0 + 2.0 mm (0 ± 0.078 in.)

0 - 1.0 mm (0 ± 0.039 in.)

Corner of rear side:

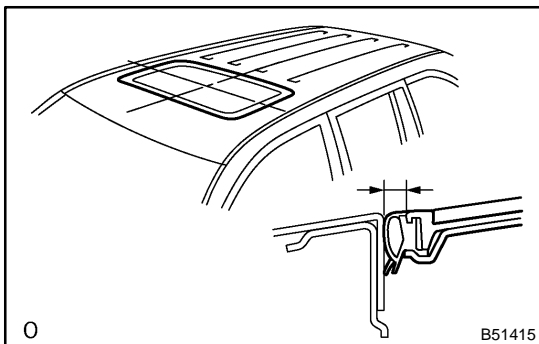
0 + 1.5 mm (0 + 0.059 in.)

0 - 1.0 mm (0 - 0.039 in.)



- (b) Adjust.

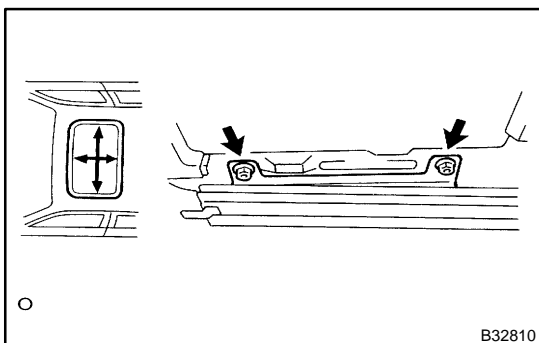
- (1) Loosen the adjusting screw to adjust the sliding roof panel, and tighten the screw at the point where the position of the sliding roof panel is determined.



- (c) Check for a difference between the sliding roof (glass) and roof panel in level.

Front end and rear end:

6.2 ± 0.7 mm (0.264 ± 0.028 in.)



- (d) Adjust.

- (1) Loosen the adjusting screw to adjust the sliding roof panel, and tighten the screw at the point where the position of the sliding roof panel is determined.

16. INSPECT FOR LEAKS

- (a) Adjusting the sliding roof, check there is no water leak.
- (b) In case of water leak, readjust the sliding roof.